

SOUTHERN NEVADA BUILDING OFFICIALS  
REGIONAL STANDARDS

B-111  
2-5-2019  
PG. 1 OF 1

MOBILE HOME SKIRTING DETAIL

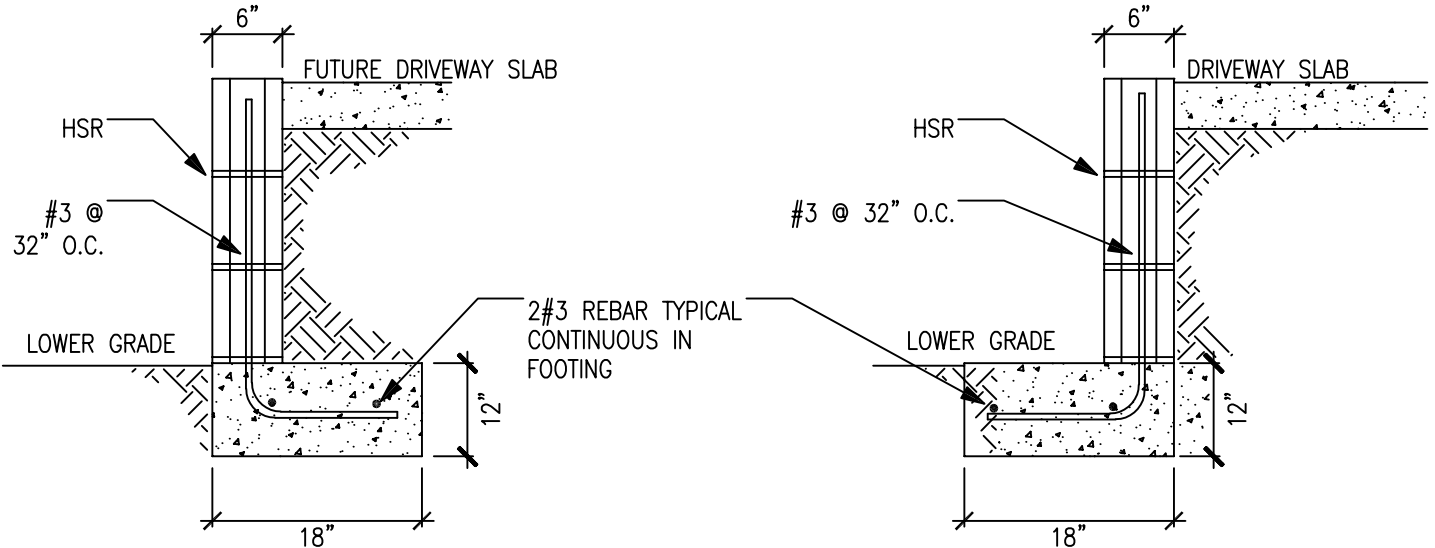
2018 IBC

**Clark County**  
Dept. of Building & Fire Prevention  
4701 W Russell Rd  
Las Vegas, NV 89118  
(702) 455-3000

**Boulder City**  
Building Department  
401 California Avenue  
Boulder City, NV 89005  
(702) 293-9282

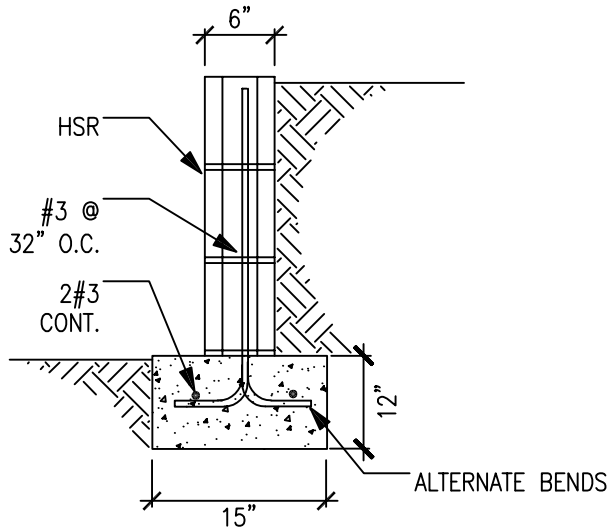
**Henderson**  
Building & Fire Safety Dept.  
240 Water Street  
Henderson, NV 89015  
(702) 267-3650

**Las Vegas**  
Building & Safety Dept.  
333 N. Rancho Drive  
Las Vegas, NV 89106  
(702) 229-6251



RETAINING WALL FOR DRIVEWAY SIDE IF SLAB HAS NOT BEEN POURED

RETAINING WALL FOR DRIVEWAY SIDE IF SLAB HAS BEEN POURED



NO DRIVEWAY, WALL CENTERED ON FOOTING

- 2018 IBC
- 2 FT. MAXIMUM (3 BLOCKS HIGH)
- NOT TO BE ATTACHED TO OR SUPPORT MOBILE HOME
- HSR-HORIZONTAL STEEL REINFORCING TO BE 9 GAUGE LADDER WIRE IN MORTAR JOINT OR #3 REBAR IN BOND BEAM
- MINIMUM 3" CONCRETE COVER OVER REBAR
- ALL CELLS WITH REBAR TO BE GROUTED SOLID
- CONCRETE  $f'_c = 4,500$  PSI, TYPE V CEMENT, 0.45 WATER TO CEMENT RATIO
- CONCRETE MASONRY CONFORMS TO ASTM C90,  $f'_m = 1,500$  PSI  
MORTAR: TYPE M - 2,500 PSI OR TYPE S - 1,800 PSI  
GROUT CONFORMS TO ASTM C476, MINIMUM 2,000 PSI  
REINFORCING STEEL GRADE 60 ASTM A615

- ASSUMED SOIL BEARING PRESSURE IS 1000 PSF, LATERAL EARTH PRESSURE IS 45 PSF/FT

<p><b>INSPECTIONS REQUIRED</b></p> <ol style="list-style-type: none"> <li>1. FOOTINGS PRIOR TO PLACING CONCRETE</li> <li>2. WALL STEEL PRIOR TO GROUTING</li> <li>3. FINAL INSPECTION AFTER COMPLETION</li> </ol>	<p>OWNER _____</p> <p>PROJECT ADDRESS _____</p> <p>_____</p>
---	--

**Mesquite**  
Building Department  
10 East Mesquite Blvd.  
Mesquite, NV 89027  
(702) 346-2835

**North Las Vegas**  
Building & Fire Safety  
2250 Las Vegas Blvd. N  
N. Las Vegas, NV 89030  
(702) 633-1577

**Pahrump**  
Building & Fire Safety Dept.  
250 N Hwy 160 Suite #3  
Pahrump, NV 89060  
(775) 751-3373